



**PLANMECA**  
Sovereign Classy

*Creates practical working environment*



Throughout the working day, the dental team is committed to fully concentrate on the treatment and the patient's well-being. The Planmeca Sovereign Classy dental unit creates a flexible and practical working environment, allowing for the dental team with adjustability, ergonomics and ease of use. Pre-programmed patient chair positions enable smooth workflow. The distinguished unit design supports ergonomic working positions, and the unit operations are easily controlled via an intuitive graphical user interface. When working with Planmeca Sovereign Classy, the effort can be put into what's essential: the actual treatment of the patient.



Patient comfort is assured by several innovative patient chair features. The chair is designed to give complete support for the patient, creating a relaxed and stress-free treatment environment.

For optimum patient comfort, the movements of the backrest and the legrest are synchronised. Similarly, the vertical seat inclination allows the seat to decline or rise simultaneously with the backrest. The synchronised movements are essential, not only because of maximised seating comfort, but also because they allow several useful chair positions.

Planmeca Sovereign Classy features a pleasant upright seating position as when seated in a normal chair, allowing for easy entry and exit of the patient, as well as for convenient consultation between the patient and the dentist.

The pre-programmed chair positions include two kinds of Trendelenburg positions; one for emergency situations such as patient collapse, and other, a more comfortable semi-Trendelenburg position, in which the backrest is not adjusted to its lowest position, or the legrest not lifted to its highest position.



The height of the patient has been taken into consideration when designing the legrest. The legrest is available in two lengths: The shorter one is ideal for children and smaller patients as the chair can be adjusted particularly low for easier entry and exit. An optional child cushion ensures comfortable seating for even the smallest of patients. Both the long and the short legrest is equipped with an additional feet support.

The wide movement range of the headrest allows comfortable positioning of the head and the neck in all treatment situations. The anatomical tilt adjusts the angle of the headrest to ensure that the head and the area to be treated are ideally positioned and within

easy reach, yet giving maximum support for the patient. The patient chair can be equipped with optional movable armrests that provide firm support, allowing easy entrance and exit. The bowl can be swivelled close to the patient for comfortable and hygienic mouth rinsing.

The patient comfort can be completed by Ultra upholstery, made of superior viscoelastic material that truly embraces the anatomical shape of the patient. After the patient exits the chair, the upholstery foam regains its original shape. Together with the ideal chair design, the adaptable Ultra upholstery ensures perfect patient comfort.

*Topmost patient comfort*



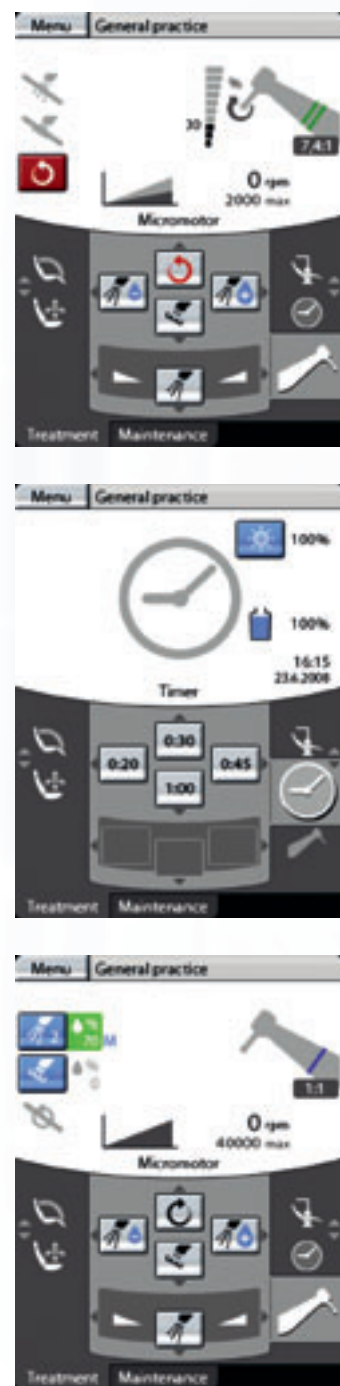
Planmecca Sovereign Classy is at the heart of an ergonomic working environment and ideal for both two-handed and four-handed treatment. The sidelifting mechanism of the chair, the cuspidor angle, as well as the thin backrest and headrest all ensure that plenty of room is left for the dentist and assistant to work in an ideal and ergonomic position and as close to the patient as required. Similarly, the unit base occupies a minimum amount of space leaving the floor free for the dentist and assistant stools and allowing convenient positioning of the foot control.

Planmecca Sovereign Classy offers superior flexibility: as the dental unit is fully symmetrical, it can be adjusted for either right-handed or left-handed user during installation. The dental unit is designed paying particular attention also to the assistant's working environment. The angle of the cuspidor can be chosen from six predetermined positions during installation, to profit entirely from the space around the unit. An additional advantage to the assistant's working space brings the small assistant element, which can be swivelled according to the personal preferences of the user.



Offering unmatched flexibility, Planmecca Sovereign Classy is an attractive and secure investment for any user. The pre-programmed chair positions are easily controllable with the graphical user interface. Among others, exit and entry position, consultation position, together with special positions for mandibular and maxillary procedures facilitate the treatment. The headrest with manual tilting provides

an unimpeded view in all areas of the oral cavity. Optionally, Planmecca Sovereign Classy can be equipped with a motorised headrest. The assistant element is equipped with two suction tubes supported by a roller cage in which the suction tube slides perfectly. The bowl is easily swivelled from the optional handles. The intelligent, automated cup fill recognises when the cup is in place and fills the cup up to a pre-programmed level.



The unit, the chair and the instrument operations are controlled either from an easy-to-use graphical user interface or a foot control with intuitive operations. The ongoing operations can be controlled from both the GUI touch screen and the foot control, allowing for the user to operate with the most convenient control device during the treatment.

Careful planning and testing carried out by Planmeca ensure that the GUI is intuitive and logical to use. The objective has been to make each command accessible with a minimum number of touches.

Clear and intuitive symbols guide the user for more straightforward work.

The foot control is exceptionally sturdy and heavy, assuring it stays in place. Equipped with three multidirectional control knobs and a bidirectional pedal, it provides 100% hands-free access to all GUI controls, minimising every potential risk of cross-contamination. Each knob and pedal controls only one unit function at a time, ensuring comfort of use with minimum training. The pedal provides the user with superior response, allowing highly accurate control of operations.

In the design of the user interface, Planmeca has also taken into consideration the fact that the unit is often operated by more than one user and that one user may work with several dental units. The user can customise the interface by setting personal preferences for various procedures. On the other hand, several user settings can be saved to the unit. To simplify the interchange between various users and units, the user settings can be saved to a USB memory stick to be instantly programmed to any other Planmeca Sovereign Classy unit.



The instrument console can carry up to six instruments, to be chosen from a broad selection. For easy instrument interchange, each instrument hose features Plug&Perform quick connectors making it possible to attach the hose to the console simply with a gentle push. All instruments are also equipped with a USB connector system.

In addition, the instrument console can hold special instruments, such as the Implantmed surgical micromotor. A tray arm allowing for length adjustment and 360-degree rotation can be mounted under the console. The convenient magnetic connector allows

the tray table to be attached to the arm from any side of the table. The tray arm can be easily detached without tools.

Two types of instrument delivery is available: the over-the-patient delivery arm can be equipped with either balanced instrument arms, as in Planmecha Sovereign Classy, or with hanging tube instruments, as in Planmecha Sovereign Classy Reach.

When using balanced instrument arms, the balance of the arm can be adjusted according to the instrument's weight and the user's personal preferences.

The delivery arm is constructed to carry special instruments, gas burners, trays and other accessories. Likewise, the sturdy support column, pylon, allows mounting rather heavy satellite devices, like an LCD monitor, an operating light, a microscope, or an intraoral X-ray unit.

In addition, the Planmecha quick lock connector system allows easy integration of a variety of satellite elements such as multiple graphical user interfaces or other technical innovations of the future. These connectors are situated in different locations to create a unit that fully adapts to the user's preferences.



Planmecha Sovereign Classy fulfils all requirements of careful infection control and prevention in terms of both internal and external hygiene. The thorough and efficient instrument flushing is easy to perform, as the instrument flushing holder is integrated and located conveniently and hygienically under the cuspidor cover.

Optionally, Planmecha Sovereign Classy can be equipped with Waterline Cleaning System (WCS) which efficiently controls the microbial cleanliness of the unit waterlines. The unit also available with Suction Tube Cleaning System (STCS) integrated in the assistant element. The optional Clean Water System (CWS) uses a container

as a water source for the instruments – highly useful in case the domestic water quality is not sufficient for dental treatment.

The user interface guides the user through the daily flushing and cleaning routines with a step-by-step procedure. The system also displays reminders asking to perform instrument flushing, waterline cleaning, or suction tube cleaning, supporting the accurate follow-through of required cleaning procedures. All cleaning and flushing activities can be stored in a history log with time stamps for automated traceability and documentation.



### Identify with colour

Unit and upholstery colourings provide a wide selection of colour combinations which help in creating a convenient and unique treatment environment to every clinic. Whether the choice is the traditional Standard or the Ultra upholstery, there's a colourful selection to choose from.

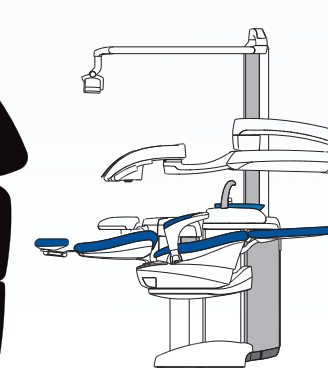
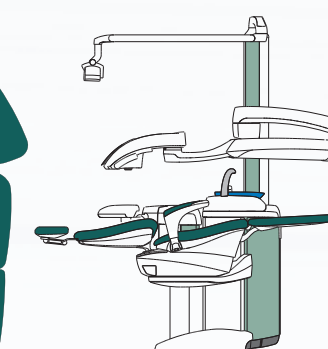
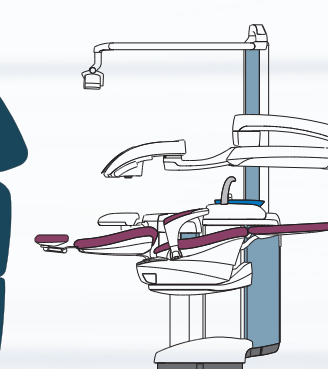
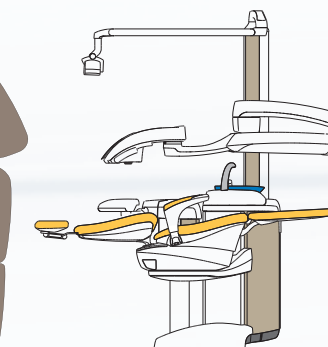
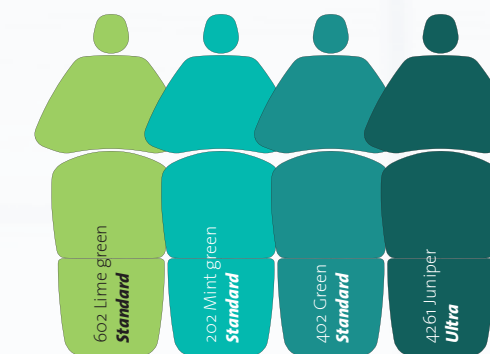
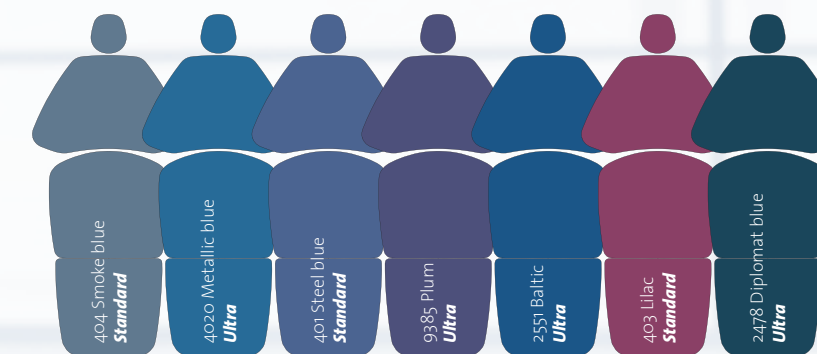
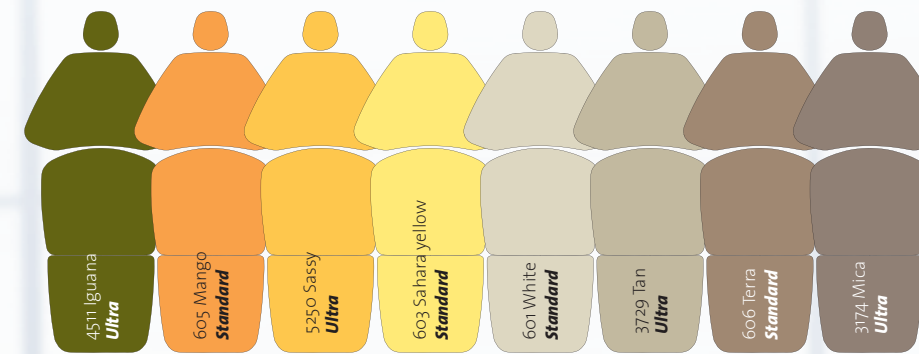
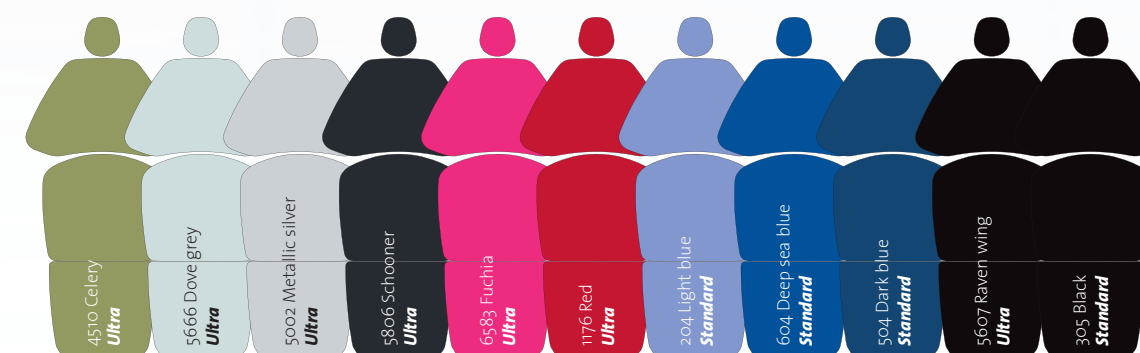
The four colour schemes present a variety of cool, warm and fresh combinations, for an elegant, natural or exciting look. The unit colouring options are Topaz, Sapphire, Jade, Crystal, or pure white Pearl, and they can be combined with any of the selection's Standard or Ultra upholstery colourings. The Identify with colour-scheme gives you the possibility to design a unique world of colours to welcome the patient.

### Standard upholstery

Standard upholstery is durable and due to its seamless surface, easy-to-clean. It provides comfort and support for the patient during every treatment.

### Ultra upholstery

Ultra upholstery is filled with special viscoelastic foam that adapts to the patient's body shape and restores its original shape after the treatment. The Ultra upholstery provides extra comfort, which is especially appreciated in long treatment sessions.





#### Full IT integration

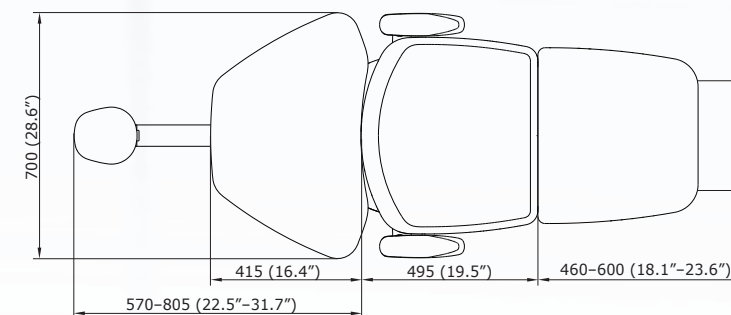
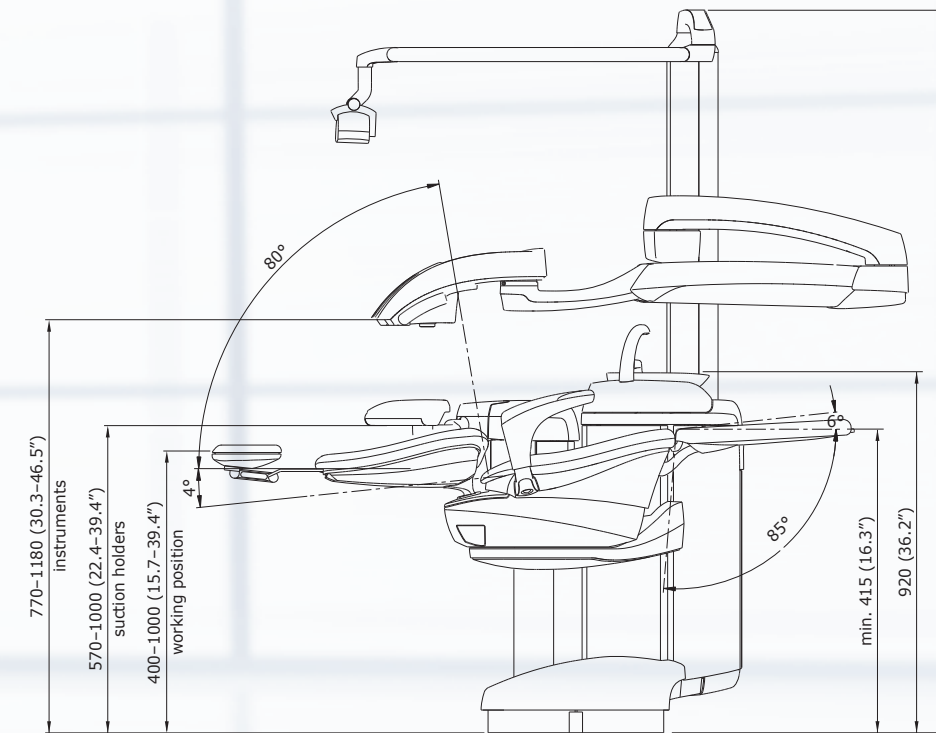
Full IT integration enables Planmeca Sovereign to communicate with any related hardware or software. Completely integrated into an Ethernet network, the unit can be monitored and maintained remotely. The unit also provides USB connectivity for flexible interfacing with other equipment and information networks. Future innovations can be introduced through software upgrades. A media PC can be installed internally, eliminating the need for an external computer.

#### Instrument selection

- Ergo 6-way syringe
- Ergo 6-way syringe with light
- Autoclavable 3-way syringe
- Ergo 3-way syringe
- Fibre optic turbine hose S
- Planmeca brushless micromotor typ 801
- KaVo KL 702 brushless micromotor
- W&H EA-50 LT brushless micromotor
- BienAir MC-3 micromotor
- BienAir MX brushless micromotor
- KaVo 200 micromotor
- LM-ProPower scaler with LED light
- EMS scaler
- EMS light scaler
- Satelec Newtron scaler
- Satelec Newtron LED scaler
- Satelec Mini LED polymerisation light
- Planmeca Starlight LED polymerisation light
- LM-ProPower Air Polisher LED
- Planmeca Intracam AF (PAL, NTSC)
- Dürr VistaCam PAL
- Surgical micromotor

#### Assistant's instruments

- Ergo 6-way syringe
- Autoclavable 3-way syringe
- Ergo 3-way syringe
- Satelec Mini LED polymerisation light
- Planmeca Starlight LED polymerisation light



#### Planmeca SingLED operating light

The new operating light with a patented, faceted structure and a single LED construction provides perfect, uniform illumination for the treatment area. The ultra-sharp edges of the light beam ensure dazzle-free treatment. The faceted structure of the non-imaging mirror optics also provides uniform colour for the entire illuminated area.

Planmeca SingLED operates at very low power, without compromising the light intensity. The hands-free adjustment of the light intensity ensures perfect hygiene. The operating light can be controlled using the GUI, the foot control, or the on/off switch, or simply by waving a hand in front of the light head – whichever best suits the user's needs. In addition, the operations of the light can be pre-programmed to follow the automatic patient chair positions.

The horizontal arm of Planmeca SingLED is exceptionally long, ensuring perfect illumination of the entire mandibular area. The operating light has removable and autoclavable handles on both sides.

Unit type	Dental unit with cuspidor, side-lifting patient chair, and assistant element
Delivery type	Over-the-patient delivery with balanced instrument arms Over-the-patient delivery with hanging tube instruments
Power requirements	100VAC–240VAC
Mains frequency	50 Hz / 60 Hz
Frame	Cast aluminium alloy
Water inlet pressure	100–900 kPa (14.3–130 psi)
Air inlet pressure	550–900 kPa (80–130 psi)
Weight	About 285 kg (633 lbs)
Mounting	To be fixed on the floor
Electrical data	Digital control system with upgradeable software, reliable electrical design and cabling
Colour	Pearl (RAL 9016) Topaz, Sapphire, Jade, Crystal

Technical specifications





*Planmeca Oy designs and manufactures a full line of high technology dental equipment, including dental care units, panoramic and intraoral X-ray units, and digital imaging products. Planmeca Oy, the parent company of the Finnish Planmeca Group, is strongly committed to R&D, and is the largest privately held company in the field.*



Planmeca Oy  
 Asentajankatu 6 | 00880 Helsinki | Finland  
 tel. +358 20 7795 500 | fax +358 20 7795 555  
 sales@planmeca.com | www.planmeca.com

Images may contain optional items not included in standard delivery. Available configurations and features may have country or area specific variations. Some products displayed above may not be available in all countries or areas. Rights for changes reserved.